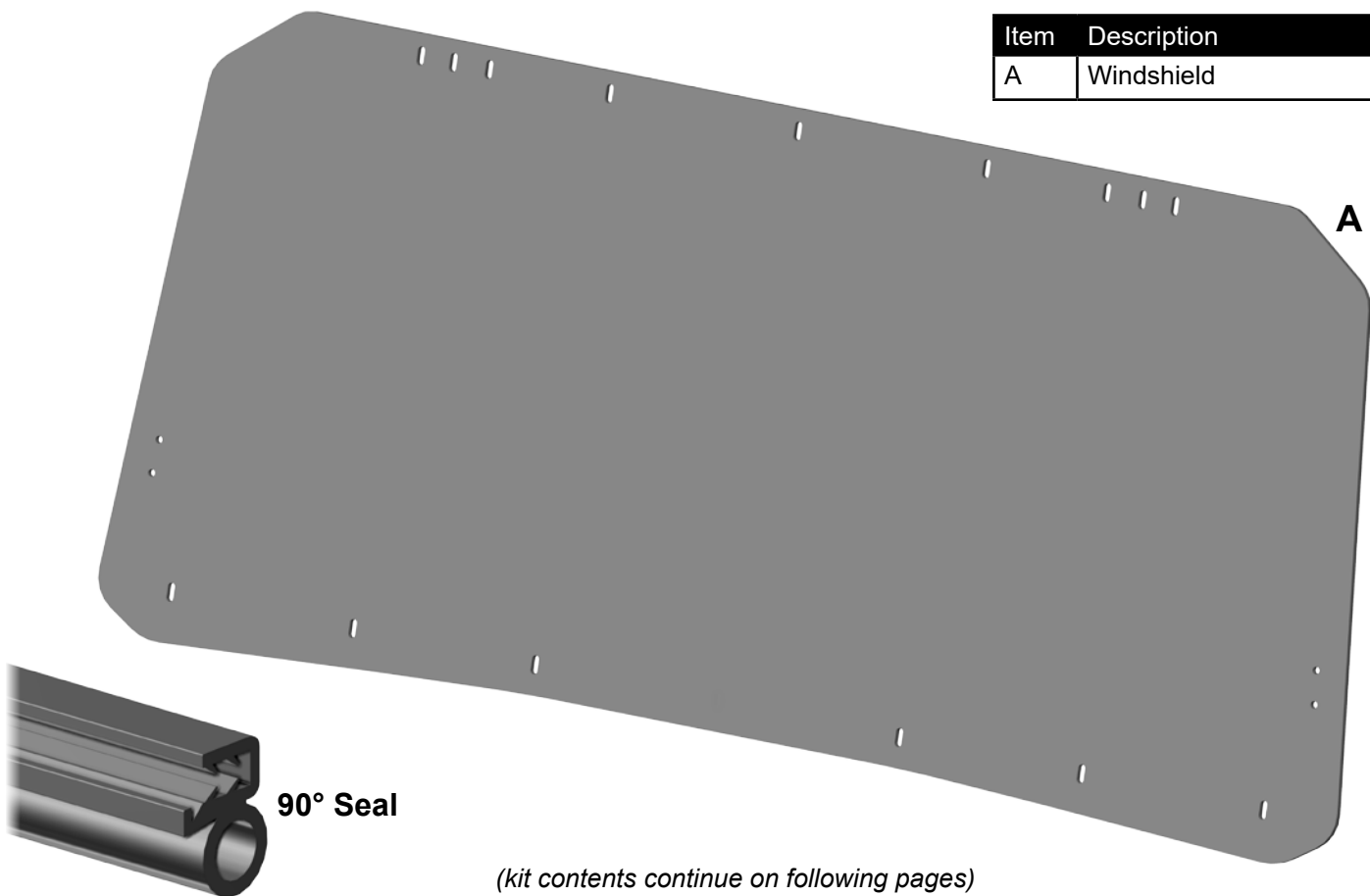


# INSTALLATION INSTRUCTIONS

## Flip Windshield for Polaris® General™

| Item | Description | Qty |
|------|-------------|-----|
| A    | Windshield  | 1   |



*(kit contents continue on following pages)*

**Liability Statement**

SuperATV's® products are designed to best fit user's ATV/UTV under stock conditions. Adding, modifying, or fabricating any factory or aftermarket parts will void any warranty provided by SuperATV® and is not recommended. SuperATV's® products could interfere with other aftermarket accessories. If user has aftermarket products on machine, contact SuperATV® to verify that they will work together.

Although SuperATV® has thousands of satisfied customers, user should be aware that installing lift kits, long travel, or suspension kits, tires, etc. will change the ride of machine and may increase maintenance and part wear. Operating any off-road machine while, or after, consuming alcohol and/or drugs increases risk of bodily harm or death. No warranty or representation is made as to this product's ability to protect user from severe injury or death. SuperATV® urges operators and occupants to wear a helmet and appropriate riding gear at all times.

By purchasing and installing SuperATV® products, user agrees that should damages occur, SuperATV® will not be held responsible for loss of time, use, labor fees, replacement parts, or freight charges. SuperATV®, nor any 3rd party, will not be held responsible for any direct, indirect, incidental, special, or consequential damages that result from any product purchased from SuperATV®. The total liability of seller to user for all damages, losses, and causes of action, if any, shall not exceed the total purchase price paid for the product that gave rise to the claim.

SuperATV® will warranty only parts provided by SuperATV®. Any damage or problems with OEM housings, bearings, seals, or other manufacturers' products will not be covered by SuperATV®. SuperATV® parts and products are not warranted if item was not installed properly, misused, or modified.

Installing, adding, modifying, or fabricating any factory or aftermarket product to your ATV/UTV may violate certain local, state, and federal laws. Be advised that laws vary depending on town, city, county, state, etc. Use of certain products on public streets, roads, or highways may be in violation law. The Buyer is solely and exclusively legally and personally responsible for any violation of the law by the installation or use of the product. You must abide by all local, state, and federal laws, including but not limited to vehicle safety, traffic laws, and ordinances. It is your responsibility to know the laws and how they apply to you.

The Buyer is responsible to fully understand the capability and limitations of his/her vehicle according to manufacturer specifications, warnings and instructions and agrees to hold SuperATV® harmless from any damage resulting from failure to adhere to such specifications, warnings and/ or instructions. The Buyer is also responsible to obey all applicable federal, state, and local laws and ordinances when operating his/her vehicle while using this product, and the Buyer agrees to hold SuperATV® harmless from any violation thereof.

**Need help with your installation?**

 [sales@superatv.com](mailto:sales@superatv.com)
 [www.superatv.com](http://www.superatv.com)

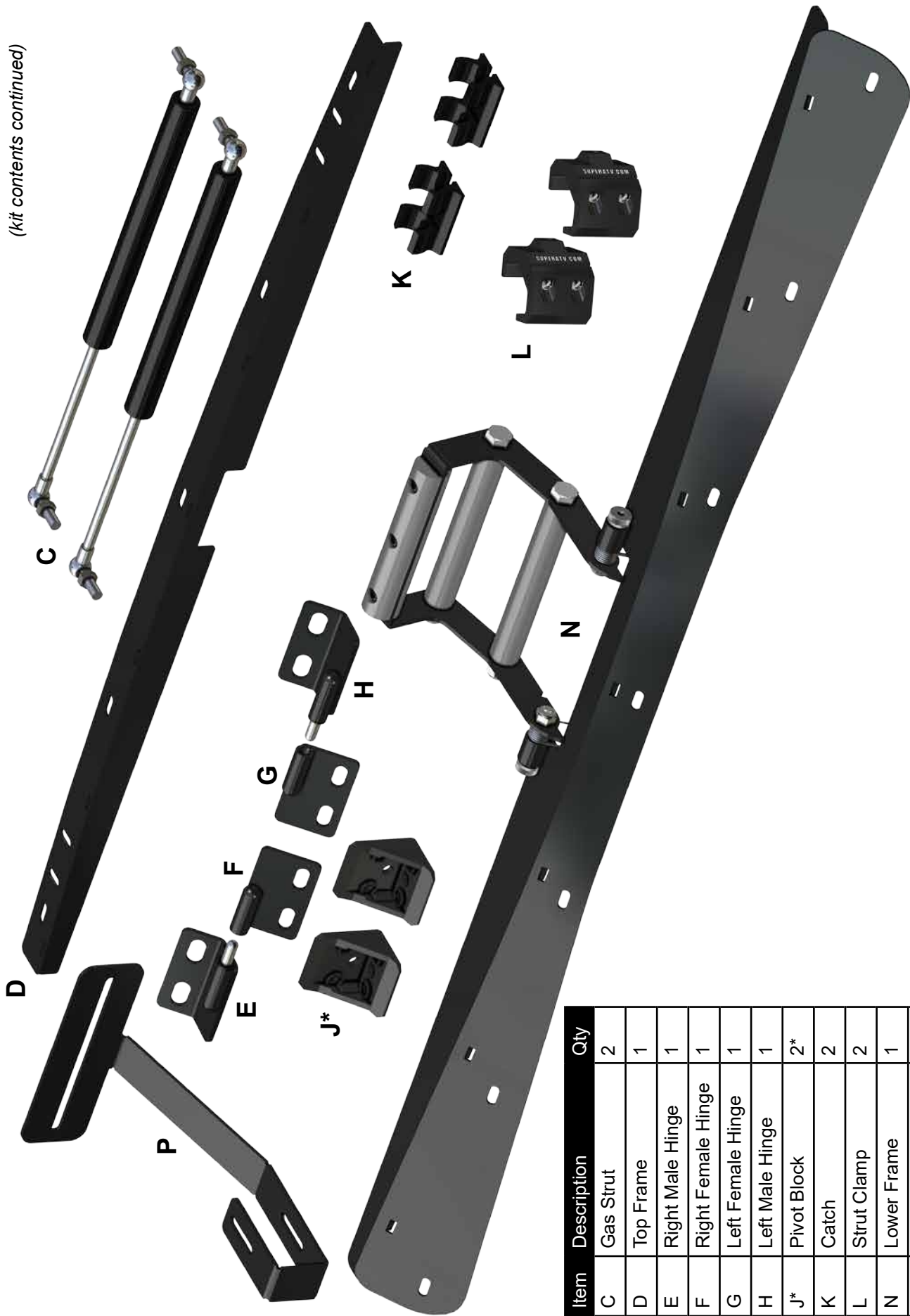
 1-855-743-3427
  8:00am - 9:00pm EST M-Th  
 8:00am - 7:00pm EST Friday  
 9:00am - 2:00pm EST Saturday

**Read instructions and view illustrations before beginning.**

*Thank You  
For Choosing*



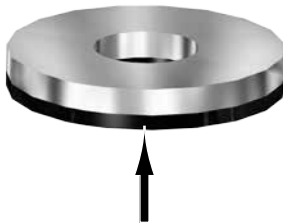
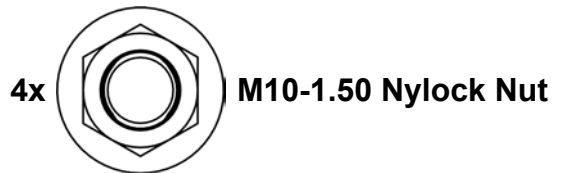
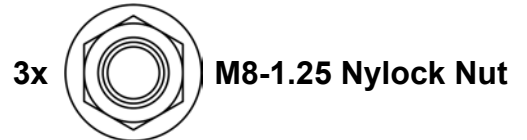
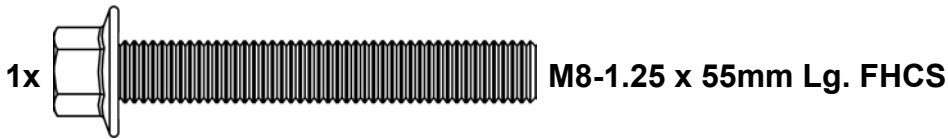
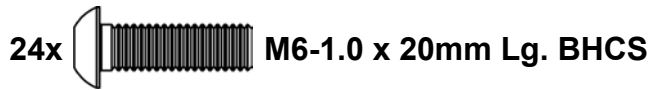
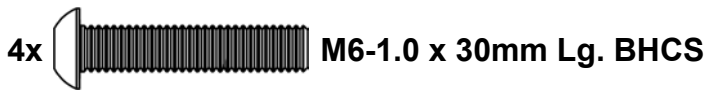
(kit contents continued)



| Item | Description        | Qty |
|------|--------------------|-----|
| C    | Gas Strut          | 2   |
| D    | Top Frame          | 1   |
| E    | Right Male Hinge   | 1   |
| F    | Right Female Hinge | 1   |
| G    | Left Female Hinge  | 1   |
| H    | Left Male Hinge    | 1   |
| J*   | Pivot Block        | 2*  |
| K    | Catch              | 2   |
| L    | Strut Clamp        | 2   |
| N    | Lower Frame        | 1   |
| P    | Handle Support     | 1   |

Qty (2) required; discard remaining

(kit contents continued)



*discard any remaining hardware*

**Rubber must face Windshield  
when installing Sealing Washer**



**Windshield Cleaning:**

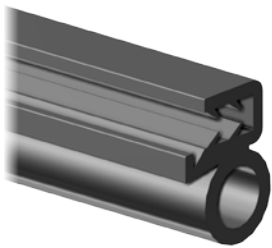
- Do not use window cleaning fluids (Windex, 409, etc) or any solvents (gasoline, denatured alcohol, acetone, etc).
  - Never use abrasive cleaners, abrasive pads, or gritty cloths.
  - Do not use a windshield wiper blade or install a motorized windshield wiper
  - Never use razor blades, scrapers, squeegees, brushes, etc.
1. Thoroughly rinse Windshield to float off dirt and mud.
  2. Using a soft cloth, or microfiber cloth, clean Windshield with warm water and a gentle detergent. Baby shampoo or hand washing soap are recommended.
  3. To prevent water spots, use a chamois to blot Windshield dry.

## Seal Installation

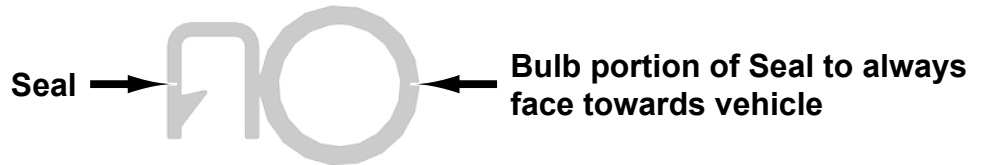
Install Seal, as shown, around outer edge of Windshield.



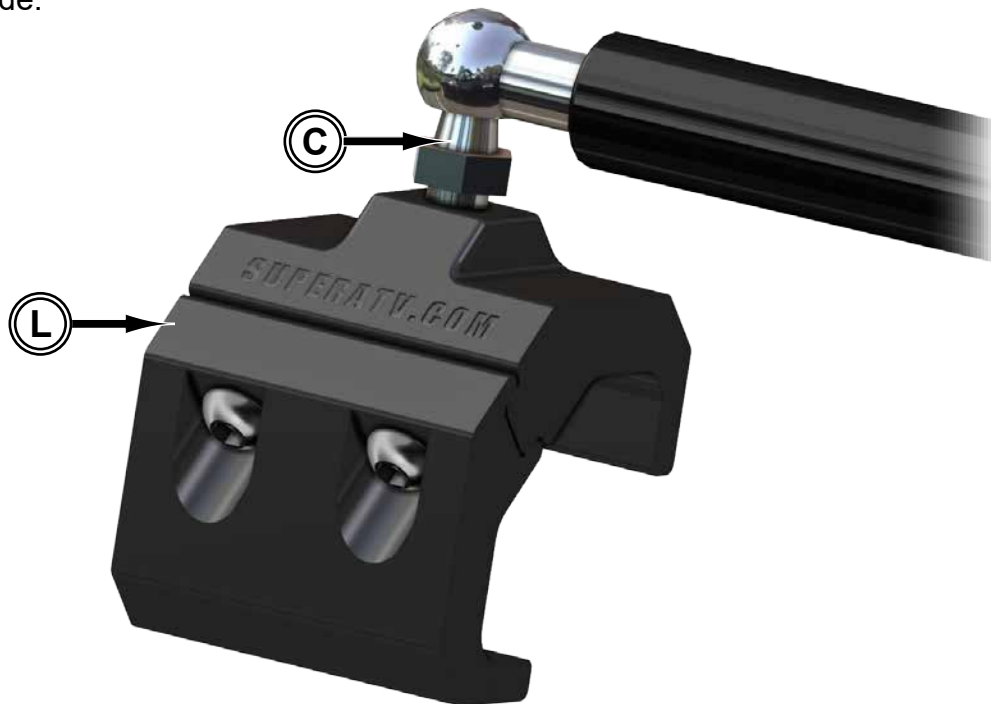
*Soak Seal in hot water before cutting or installing to increase flexibility.*



90° Seal



- Install Gas Struts (C) to Strut Clamps (L).
- Set aside.







- Locate depressions in stock Visor Panel as shown.

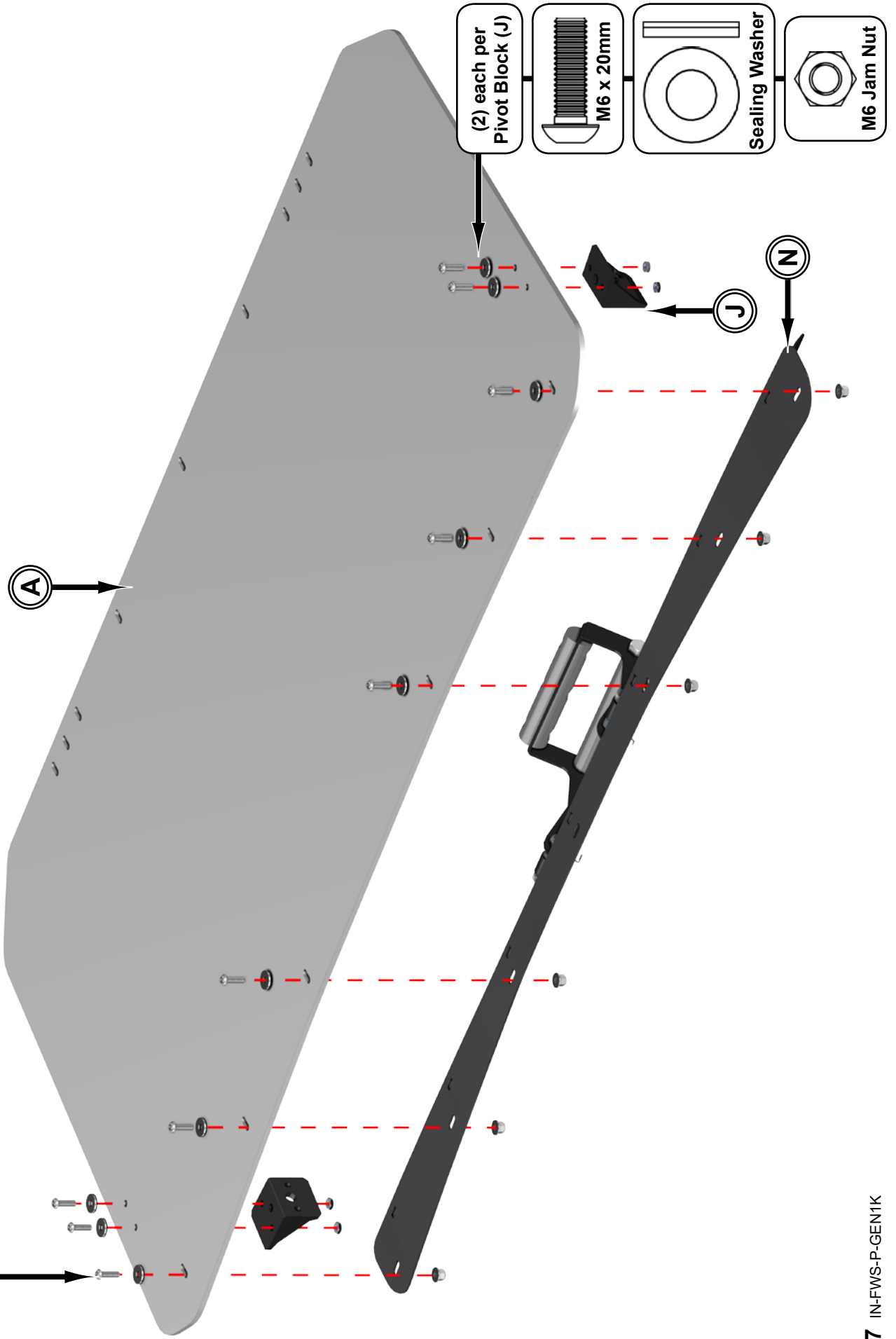
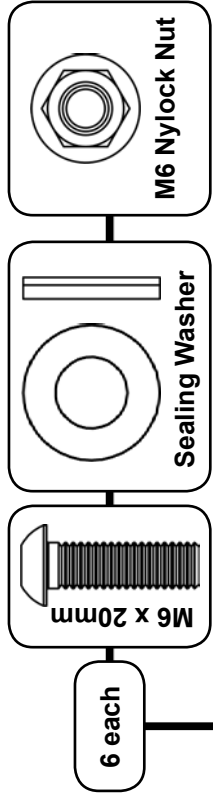


- Drill  $\text{\O}1/2$ " holes in stock Visor Panel as shown.

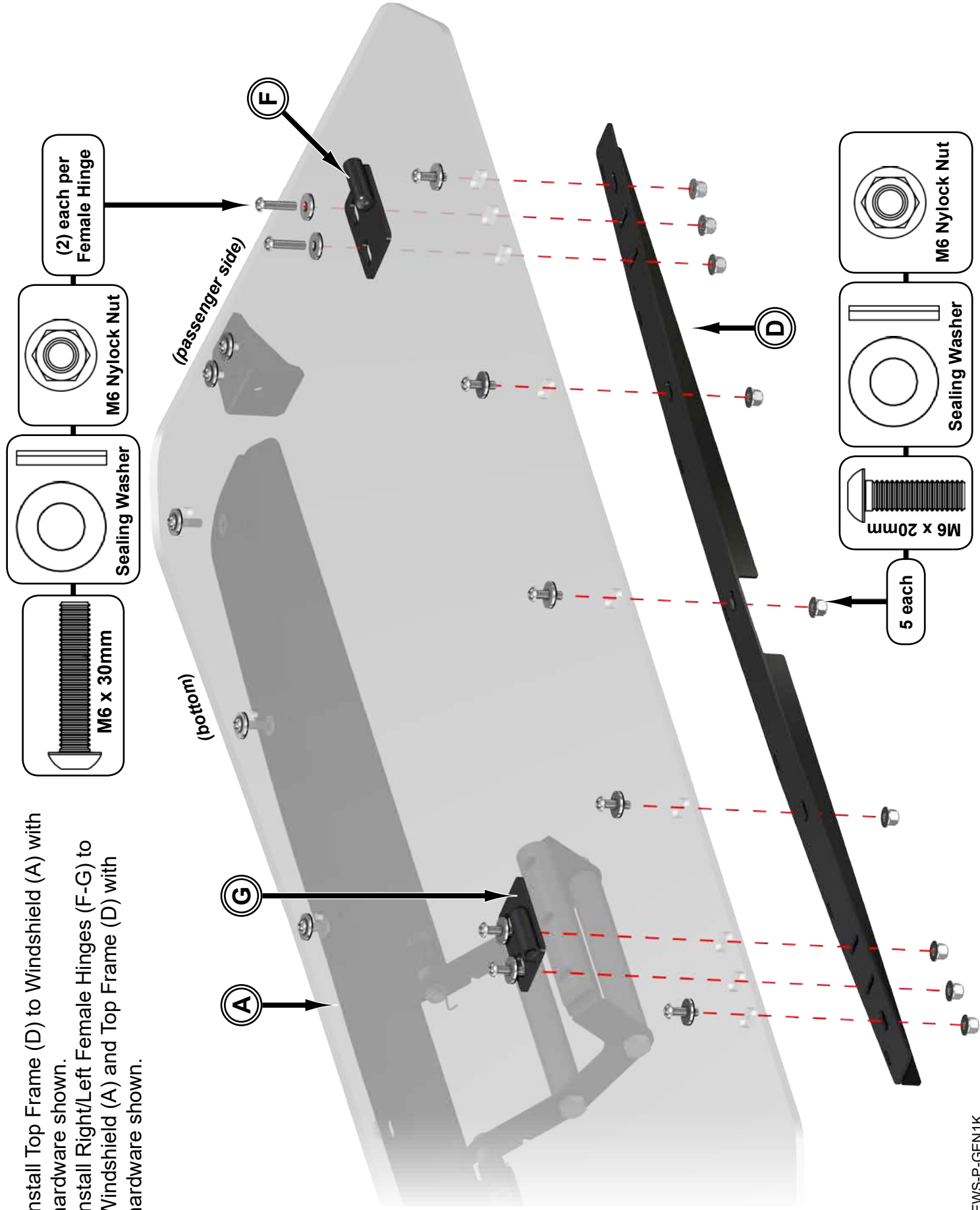




- Install Pivot Blocks (J) and Lower Frame (N) to Windshield (A) with hardware shown.



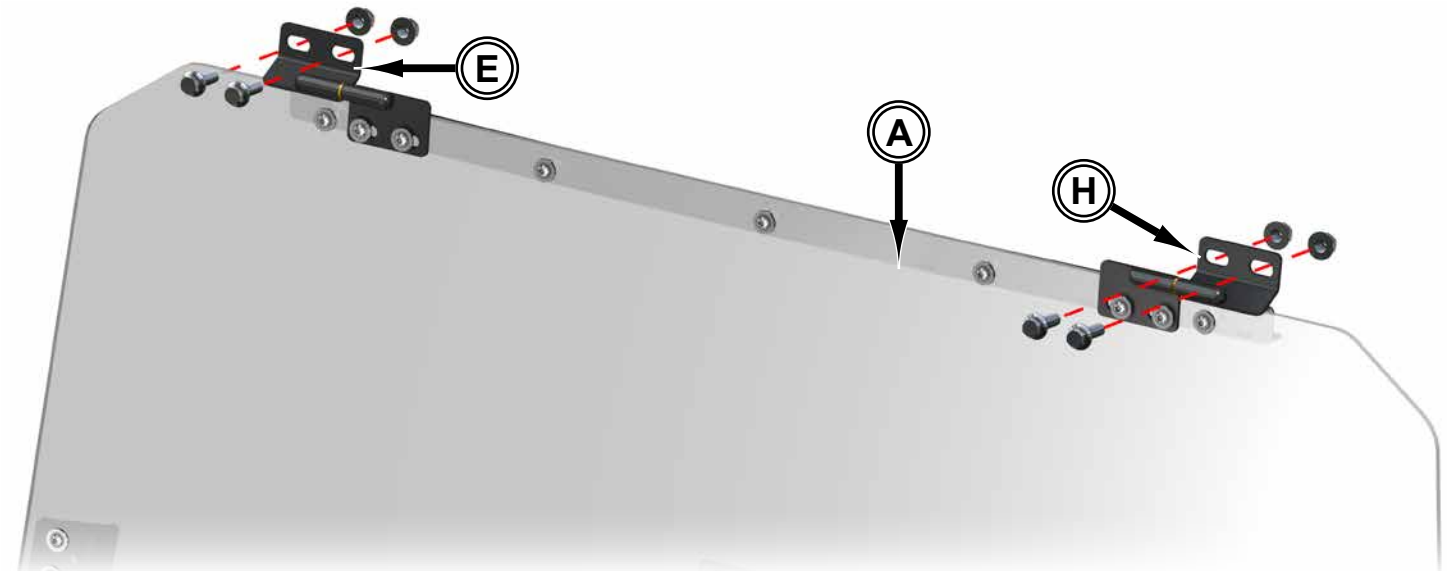
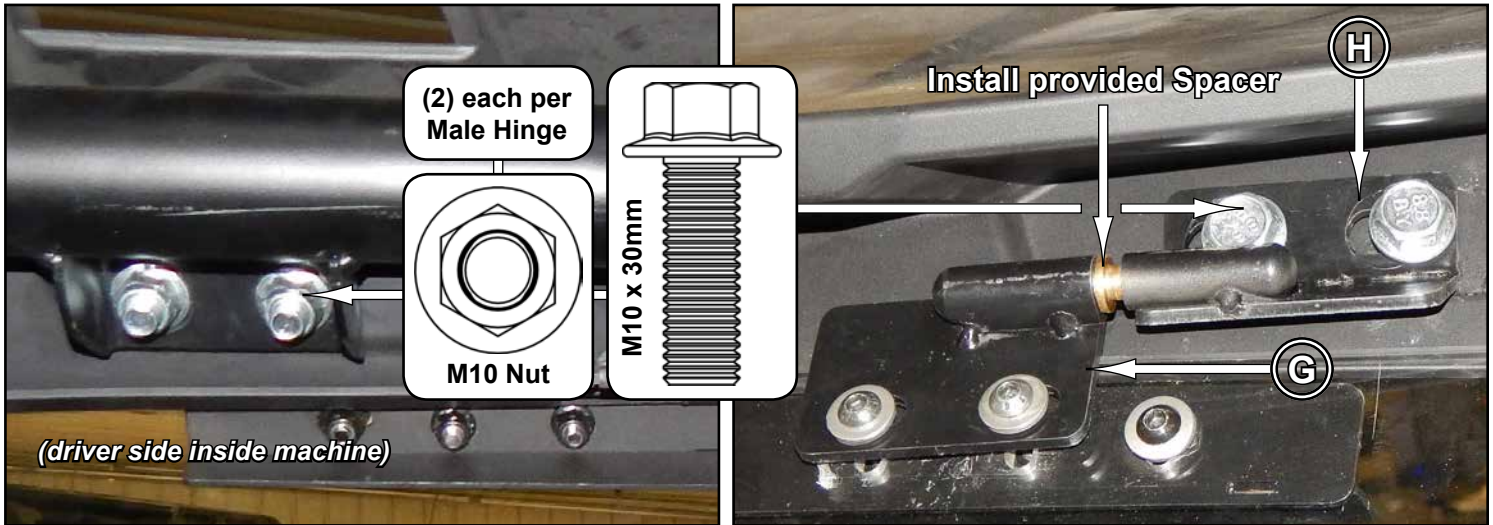
- Install Top Frame (D) to Windshield (A) with hardware shown.
- Install Right/Left Female Hinges (F-G) to Windshield (A) and Top Frame (D) with hardware shown.





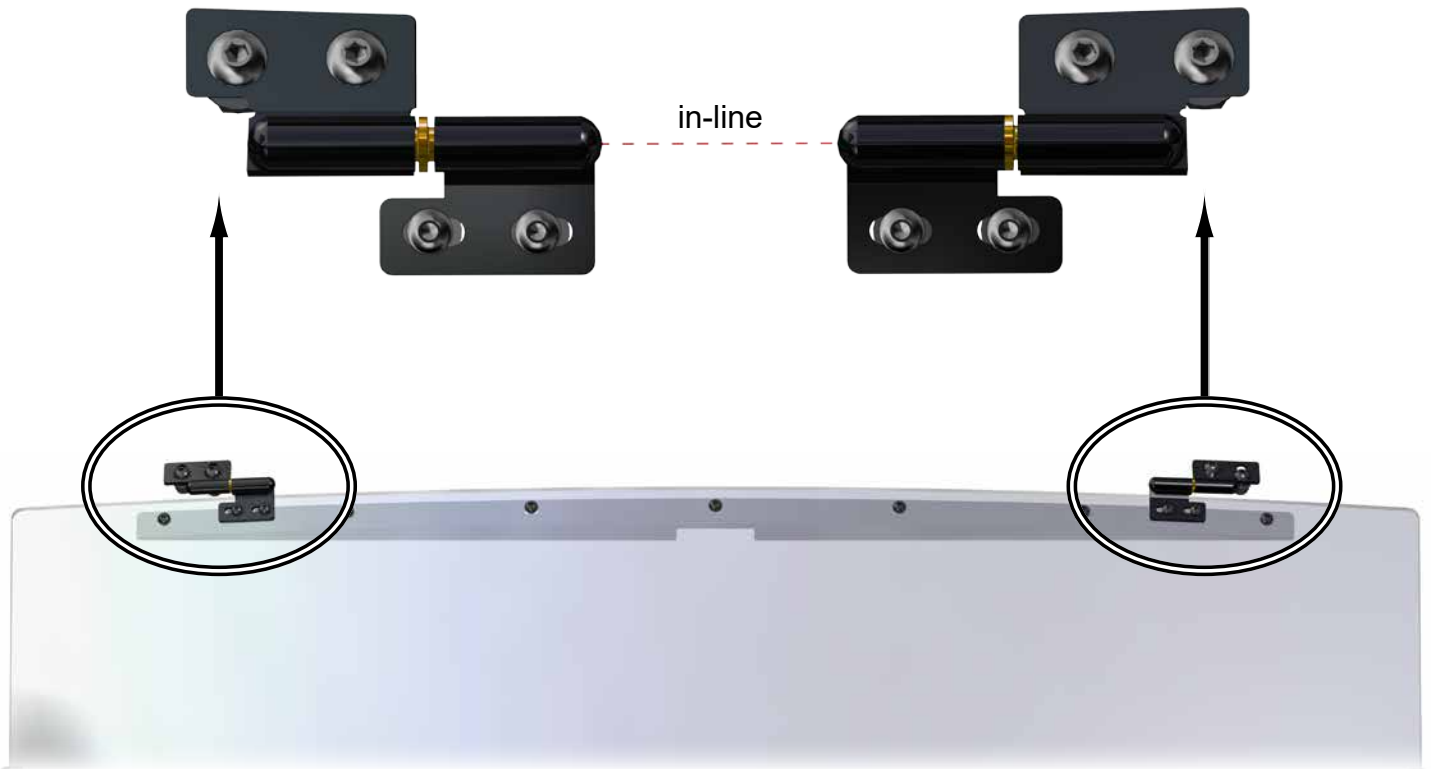
- Place Windshield onto machine.
- Install Male Hinges (E-H) into Female Hinges (F-G).  
*Provided Spacer must be installed.*
- Secure Male Hinges (E-H) to Frame with hardware shown.

**From this step forward, installation is easiest with an extra set of hands.**



## Hinge Alignment

To avoid binding when opening and closing Windshield, align Hinges before tightening hardware.



- Align to machine and tighten all hardware completely.

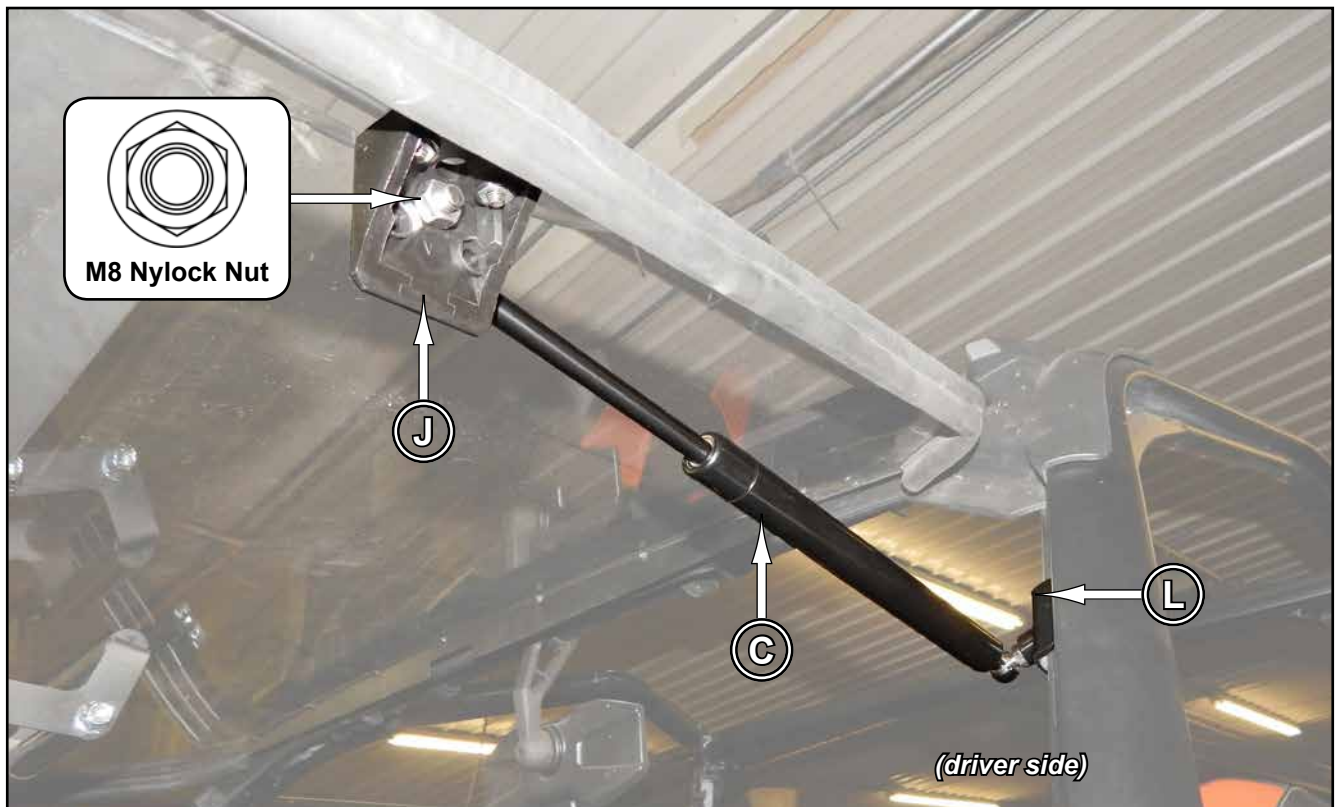




- Place Strut Clamp (L) around Cab Frame as shown.
- Loosely secure with hardware shown.
- Repeat for opposite side.

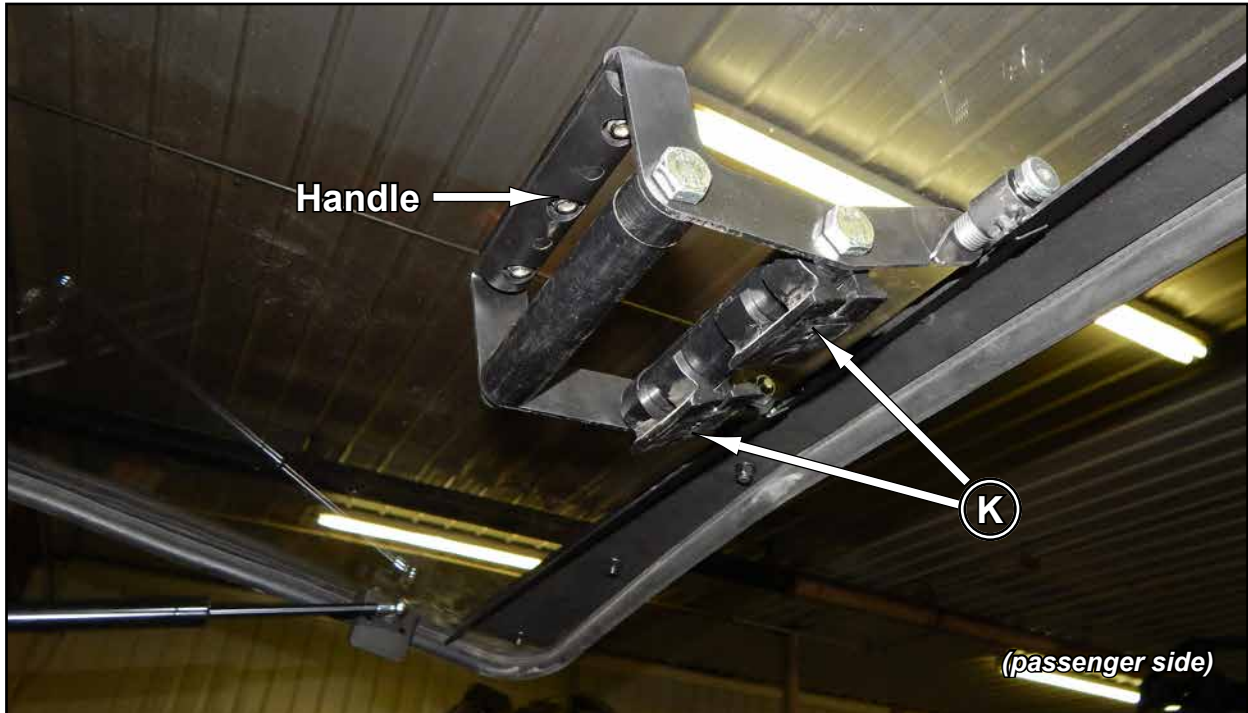


- Open Upper Windshield to slightly under 90° and secure Gas Struts (C) to Pivot Blocks (J) with hardware shown.
- Ensure that Windshield is level, when in "open" position, and tighten Strut Clamp (L) hardware completely.



## Catch (K) installation

- Install Latches (K) onto Handle.



- Use a strap to keep Windshield in closed position.



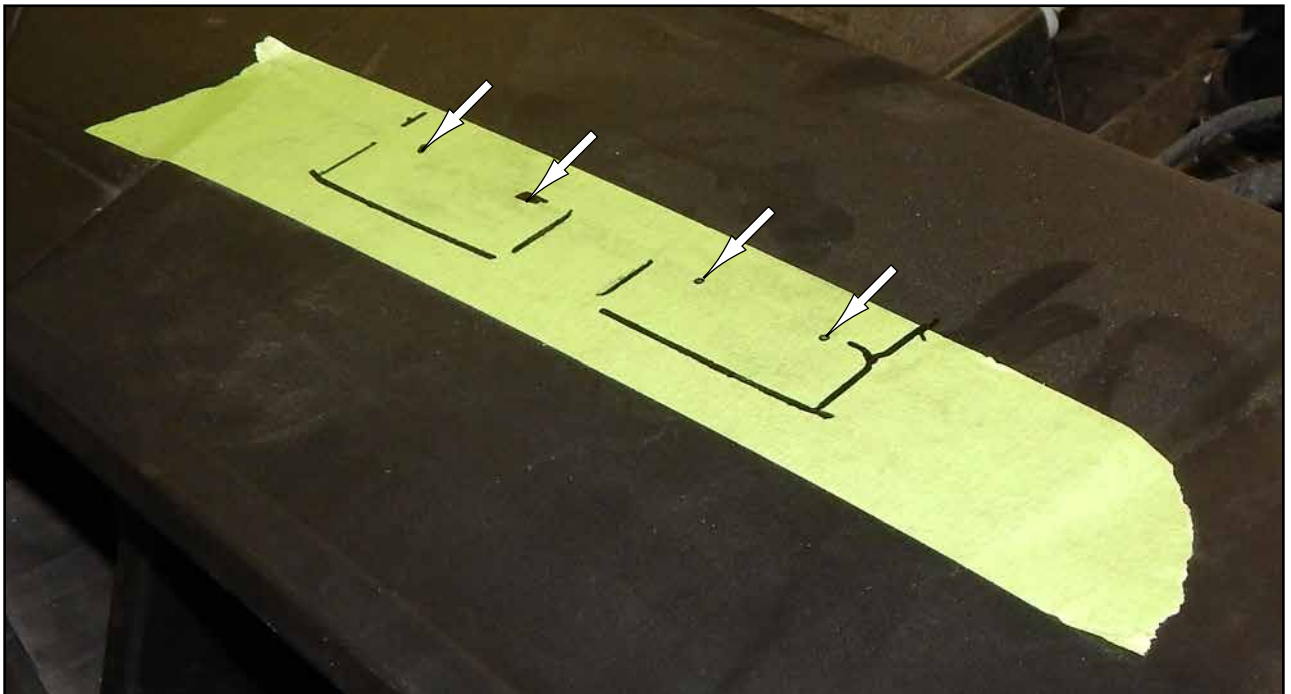


## Catch (K) installation continued

- Place tape on Dash and mark Latch (K) locations.



- Drill (4) Ø7mm holes through Dash.



## Catch (K) installation continued

- Remove Center Storage.



- Install Handle Support (P) to Frame with hardware shown.
- Install Catches (K) to Dash and Handle Support with hardware shown.
- Tighten hardware completely and replace Center Storage.

