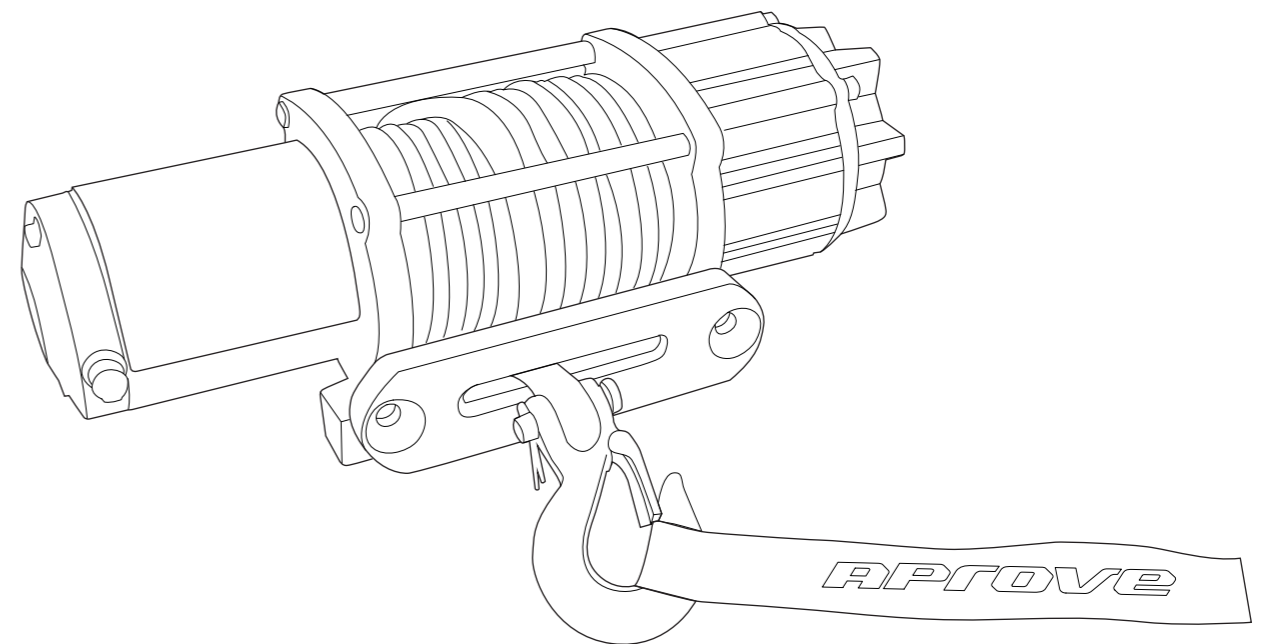




**APROVE**  
INSTRUCTION MANUAL

**2500/3500/4500 LBS.**  
**ATV/UTV WINCH**

MODEL: S2500SC / S2500SR / S2500SRD  
S3500SC / S3500SR / S3500SRD  
S3500SC / S3500SR / S3500SRD





As you read these instructions, you will see WARNINGS and CAUTIONS. Each message has a specific purpose. WARNINGS and CAUTIONS identify the hazard, indicate how to avoid the hazard and advise of the probable consequence of not avoiding the hazard. PLEASE WORK SAFELY!



WARNINGS are safety messages that indicate a potentially hazardous situation, which if not avoided, can result in serious injuries or death.

CAUTIONS are safety messages that indicate a potentially hazardous situations, which if not avoided, may result in minor or moderate injury. A CAUTION may also be used to alert against unsafe practice.

## GENERAL SAFETY PRECAUTIONS

### ⚠ WARNING!

#### MOVING PART HAZARDS TO PREVENT SERIOUS INJURY AND PROPERTY DAMAGE:



Do not operate or install winch without reading and understanding these instructions and the basic guide to winching techniques.



Keep hands clear of rope, hook and fairlead opening during operation and while spooling.



Use supplied hook strap for spooling rope.



Stand clear of rope and load during operation.



Keep other people away.



Inspect winch installation and rope condition before operating winch.

Do not use as a hoist.



Do not use to move persons.

Do not exceed winch's rated capacity.

Never touch rope or hook while in tension.



Make sure the anchor you select will withstand load.

Before initiating winching operation, be sure any elements that can interfere with safe winching are removed.



Never wrap rope back onto itself. Use a choker chain, tree trunk protector or an anchor.

Do not disengage clutch if winch is under load or if rope is under tension.

### ⚠ WARNING!

#### TAKE YOUR TIME. SLOPPY RIGGING CAUSES ACCIDENTS.



The rope must always spool onto the drum as indicated by the drum rotation label on the winch.

#### BATTERY HAZARDS

Batteries contain gases which are flammable.

Wear eye protection.

Remove all metal jewelry.

Do not lean over battery while making connections.

Failure to take proper precaution may result in fire or serious injury.

### ⚠ CAUTION!

#### TO AVOID INJURY AND PROPERTY DAMAGE!



Do not use winch to secure a load during transport.



Do not submerge the winch in water.



Never winch with less than 5 wraps of rope around the drum.



Wear heavy leather gloves while handling the rope.



Do not use to tow vehicles.

Caution should be used if the vehicle is tied down during a winching operation. This may lead to damage to the frame.

Before winching, inspect remote control lead for damage.

## 2500 LBS. WINCH

### SPECIFICATIONS:

- Rated Line Pull: 2500lbs. (1134kgs) Single-Line
- Motor: 12V DC, 0.9 HP (700w) Permanent Magnet
- Control: Handlebar Switch
- Geartrain: 3-Stage Planetary
- Gear Ratio: 136:1
- Clutch (freespooling): Cam Actuated
- Brake: Dynamic. Mechanical Brake is Available
- Drum Diameter / Length: 2.0" / 2.9"
- Wire Rope: 50' , 3/16" Diameter (15.24 m , 4.8 mm Diameter)
- Fairlead: Aluminum Hawse or 4-Way Roller
- Recommended Battery: 12 Amp / Hour Minimum for Winching
- Battery Leads: 6 Gauge
- Finish: Black

### PERFORMANCE DATA

Line Pull (lbs/kgs)	Line Speed (ft/m)	Motor (Amps)
0	28 ft (8.6 m)	19
625 (284)	19 ft (5.9 m)	58
1250 (567)	14 ft (4.5 m)	92
1875 (851)	9 ft (2.79 m)	135
2500 (1134)	4 ft (1.5 m)	185

Above data are based on the first layer of drum.

Layer	Rated Line Pull (lbs/kgs)	Total Rope on Drum (ft/m)
1	2500 (1134)	7.9 ft (2.4 m)
2	2134 (968)	17.3 ft (5.27 m)
3	1861 (844)	28 ft (8.54 m)
4	1650 (748)	40 ft (12.2 m)
5	1483 (673)	50 ft (15.2 m)

## 3500 LBS. WINCH

### SPECIFICATIONS:

- Rated Line Pull: 3500lbs. (1589kgs) Single-Line
- Motor: 12V DC, 1.1hp(825w) Permanent Magnet
- Control: Handlebar Switch and Remote Switch
- Geartrain: 3-Stage Planetary
- Gear Ratio: 136:1
- Clutch (freespooling): Cam Actuated
- Brake: Dynamic. Mechanical Brake is Available
- Drum Diameter / Length: 2.0" / 2.9"
- Wire Rope: 50' , 3/16" Diameter (15.24 m , 4.8 mm Diameter)
- Fairlead: Aluminum Hawse or 4-Way Roller
- Recommended Battery: 12 Amp / Hour Minimum for Winching
- Battery Leads: 6 Gauge
- Finish: Black

### PERFORMANCE DATA

Line Pull (lbs/kgs)	Line Speed (ft/m)	Motor (Amps)
0	28 ft (8.6 m)	19.3
875 (397)	20 ft (6.2 m)	73.4
1750 (794)	15 ft (4.6 m)	107
2625 (1191)	9 ft (2.8 m)	162
3500 (1589)	4 ft (1.19 m)	248

Above data are based on the first layer of drum.

Layer	Rated Line Pull (lbs/kgs)	Total Rope on Drum (ft/m)
1	3500 (1589)	7.9 ft (2.4 m)
2	2984 (1354)	17.3 ft (5.27 m)
3	2601 (1180)	28 ft (8.54 m)
4	2305 (1046)	40 ft (12.2 m)
5	2070 (939)	50 ft (15.2 m)

## 4500 LBS. WINCH

### SPECIFICATIONS:

- Rated Line Pull: 4500lbs. (2,043 kgs) Single-Line
- Motor: 12V DC, 1.1hp(825w) Permanent Magnet
- Control: Handlebar Switch and Remote Switch
- Geartrain: 3-Stage Planetary
- Gear Ratio: 166:1
- Clutch (freespooling): Cam Actuated
- Brake: Dynamic. Mechanical Brake is Available
- Drum Diameter / Length: 2.0" / 4.7"
- Wire Rope: 15.24 m , 5.5 mm or 6 mm Diam
- Fairlead: Aluminum Hawse or 4-Way Roller
- Recommended Battery: 12 Amp / Hour Minimum for Winching
- Battery Leads: 6 Gauge
- Finish: Black

### PERFORMANCE DATA

Line Pull (lbs/kgs)	Line Speed (ft/m)	Motor (Amps)
0	23 ft (7 m)	20
1125 (510)	15 ft (4.56 m)	69
2250 (1020)	12 ft (3.57 m)	114
3375 (1530)	8 ft (2.4 m)	178
4500 (2041)	5 ft (1.39 m)	245.26

Above data are based on the first layer of drum.

Layer	Rated Line Pull (lbs/kgs)	Total Rope on Drum (ft/m)
1	4500 (2043)	11.4 ft (3.46 m)
2	3839 (1741)	24.9 ft (7.6 m)
3	3345 (1517)	35.1 ft (10.7 m)
4	2964 (1345)	45.3 ft (13.8 m)
5	2661 (1207)	50 ft (15.2 m)

## STEP 1: SAFETY FIRST!

- While installing your ATV/UTV winch system, read and follow all mounting and safety instructions.
- Be sure to use caution while working with electricity and remember to verify that no exposed electrical connections exist before energizing winch circuit.

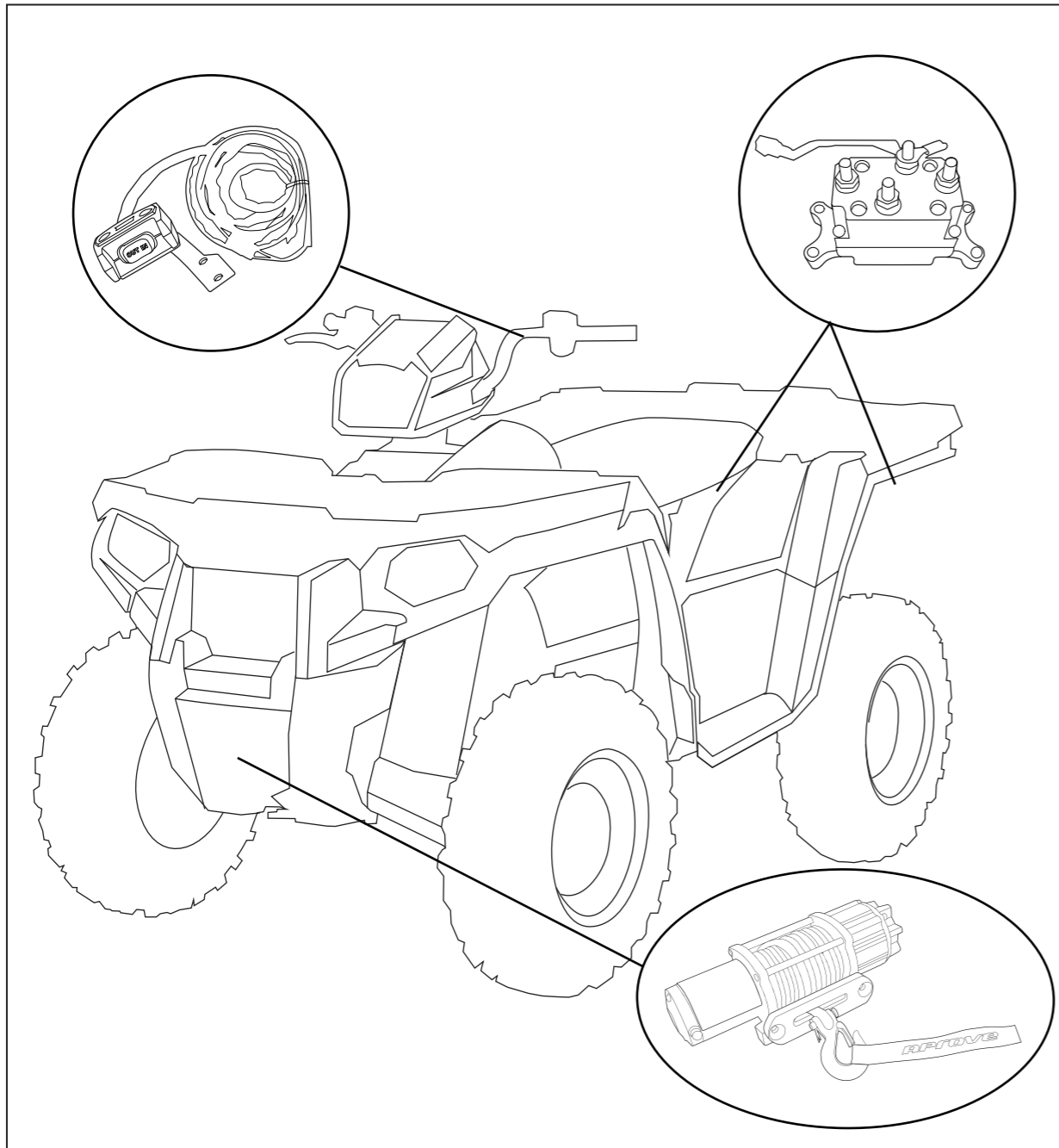


Figure 1 : To install the complete kit, you will need to mount the winch, contactor and handlebar switch. Mounting locations might vary depending on make and model of the ATV.

## STEP 2: WINCH MOUNTING

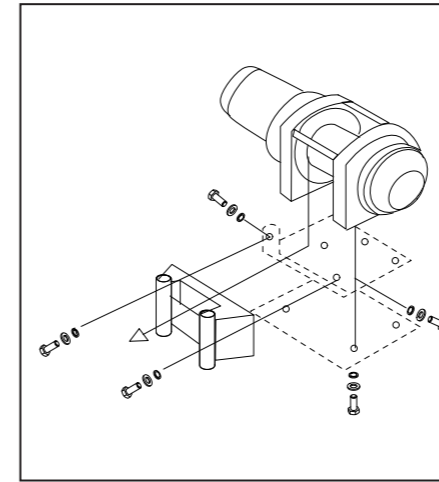


Figure 2 : Orientation of winch to mounting plate

### TO SECURE THE WINCH, ALWAYS USE:

- A flat, secure mounting location at least 3/16 inches (4.8 mm) thick
- 5/16-18 x 1 in., grade 5 hex head cap screws and lock washer supplied in winch kit
- Torque mounting bolts to 12 ft-lbs (1.7 kg-m).
- Attach fairlead to winch mounting plate using 3/8-16 bolts, nuts and washers.
- Attach the clevis hook to the wire rope at this time.
- Put clutch in freespool position.
- Manually feed cable loop through fairlead.
- Attach hook to cable loop and re-engage clutch.

\* \* Winch mounting plate is not included

## STEP 3: CONTACTOR LOCATION

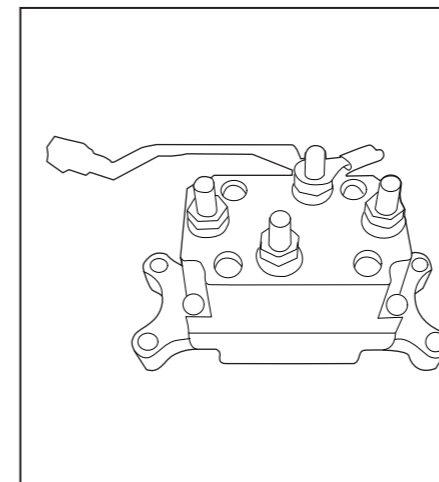
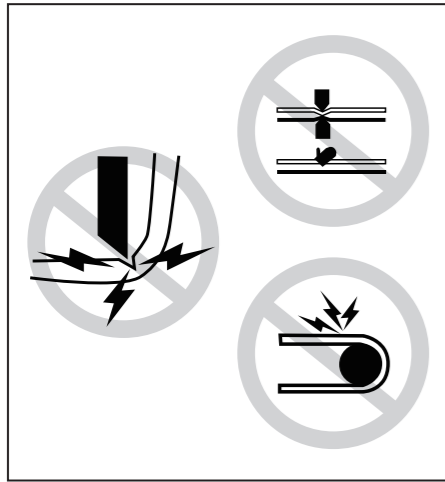


Figure 3 : Contactor

- The contactor is a primary safety feature in winch system. It disconnects your winch from its power source when the ATV/UTV is not used. The contactor must be installed correctly
- It is recommended that the contactor be mounted close to the battery and in a location that is as clean and dry as possible. Exact locations include inside, on top, or on the side of rear storage box, and on a few models, under the seat.
- Make sure the contactor mounting location selected is away from all metal structures such as frame tubes.
- DO NOT place tools or other items in the positions that might come in contact with the contactor directly.
- Drill the mounting holes for the contactor at this time, then move on to step four as it will be easier to attach all the wiring to the contactor before attaching it to the ATV/UTV. DO NOT mount the contactor at this time.

## STEP 4: HANDLEBAR SWITCH INSTALLATION

### ⚠ WARNING!



#### TO PREVENT SERIOUS INJURY OR DEATH FROM ELECTRICAL FIRE:

- Do not route electrical cables across sharp edges.
- Do not route electrical cables through or near moving parts.
- Do not route electrical cables through or near any high heat parts.
- Avoid pinch and wear/abrasion points while installing all electrical cables.

#### TO AVOID INJURY AND PROPERTY DAMAGE:

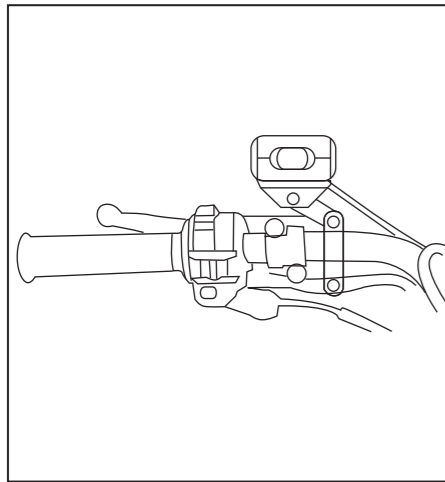


Figure 4 : Handlebar mount. Exact positioning may vary depending on ATV make and model.

- Use caution when moving or repositioning any vehicle controls so as to not compromise the position that will provide clearance for all vehicle controls.
- Before securing the switch cable with the wraps, make sure that the handlebars have full range of motion.
- It is recommended that the switch be installed on the left handlebar. A piece of electrical tape around the handlebar helps prevent rotation of mount on handlebar.
- Do not tighten over any hoses or cables.
- Once the handlebar switch is mounted, route the two built terminal wires back to where the contactor will be mounted. Splice the end of the red 20ga wire to a key controlled electrical wire of the ATV. Using a test light, locate a suitable wire from the ATV key switch. The wire should only have power when the key is in the "ON" position.

## STEP 5: WIRING INSTALLATION

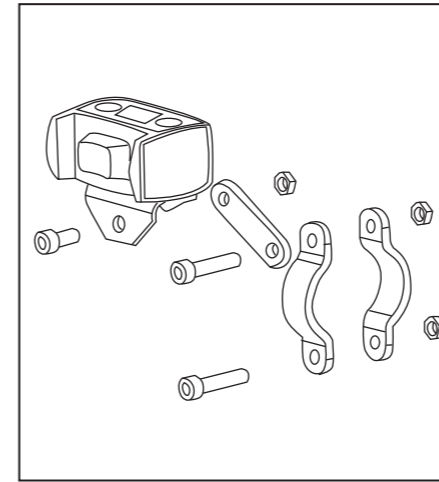


Figure 5 : Handlebar switch assembly

- All wires must be attached to the contactor before mounting the contactor to the ATV.
- Attach the yellow and blue wires to the motor terminals on the winch.
- If only installing the handlebar switch, attach the terminals on the green and black handlebar switch wires directly to the terminals of the contactor.
- Attach the red wire to the positive red contactor post and positive battery terminal. Attach the black wire to the black contactor post and negative battery terminal.
- When possible, route the winch kit power (red) and ground (black) wires along the ATV's existing wire routing path under the seat and battery location areas. Make sure the wiring is not pinched when the seat is reinstalled.
- Attach the contactor to the predetermined position on the ATV. Ensure that cables do not cross sharp edges, moving parts, or contact items that may become hot.
- Secure loose wiring with zip ties or electrical tape prior to final ATV reassembly.

## STEP 6: SYSTEM CHECK

#### BEFORE USING THE WINCH, VERIFY THE FOLLOWING:

- Wiring to all components is correct. All loose wires are tied and wrapped tight.
- There are no exposed wiring or terminals. Cover any existing terminal exposures with terminal boots, heat shrink tubing or electricians tape.
- Turn ATV key switch to ON position. Check winch for proper operation. The wire rope should spool in and out in the direction indicated on the switch.

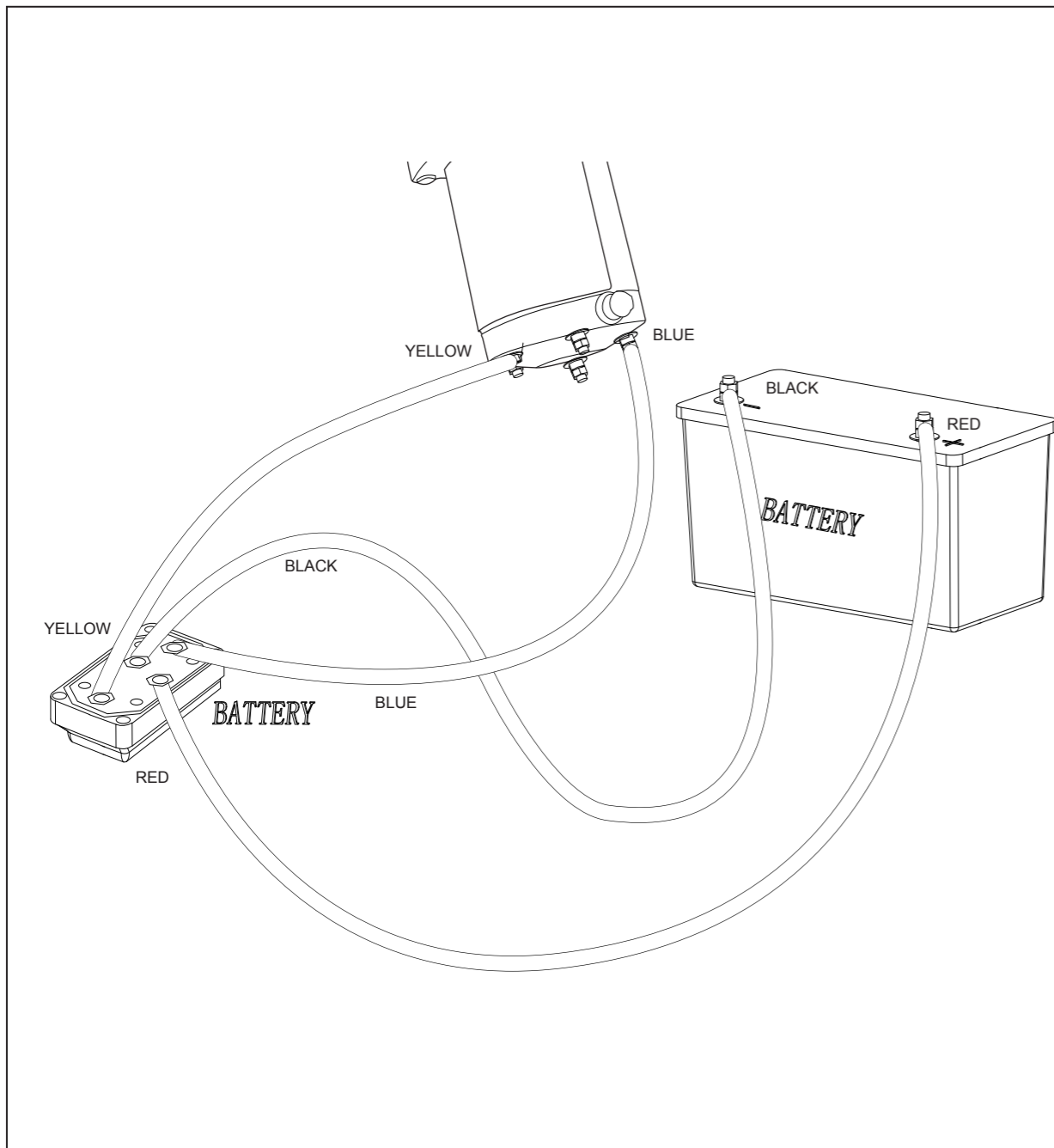


Figure 6 : Wiring installation diagram

**CAUTION!**

Do not use the winch in a constant duty application-it is designed for **INTERMITTENT USE ONLY**. Keep the duration of the pulling job as short as possible. If the motor becomes very hot to the touch, stop and let it cool down for several minutes. Do not pull for more than 50 seconds at or near the rated load. Do not maintain power to the winch if the motor stalls. Double line rigging will help prevent overloading and should be used whenever practical.

## APROVE WINCH LIMITED WARRANTY STATEMENT MODEL

S2500SC, S2500SR, S2500SRD, S3500SC, S3500SR, S3500SRD, S4500SC, S4500SR, S4500SRD, D9500SC, D9500SR, D9500SRD, D12000SC, D12000SR, D12000SRD, S9000SC, S12000SC.

Aprove Products Co., Ltd ("Seller" or "APROVE") warrants to the original buyer that (a) the mechanical components, and (b) the electrical component of the "APROVE" Winch Model listed above will be free of defects in material (but excludes motor, wired rope and fairlead) and workmanship for a period of 12 months from the original date of purchase. To obtain any warranty service, you must provide APROVE with proof of purchase and date of purchase acceptable to APROVE, such as a copy of your purchase receipt. This warranty does not cover the removal or reinstallation of the winch. Aprove will, at its option, replace or refund the purchase price of a defective winch or component, provided you return the defective winch or component during the warranty period, transportation charges prepaid, to APROVE Authorized Service Centers. Attach your name, address, telephone number, a description of the problem, and a copy of your receipt and original bill of sale bearing the APROVE serial number of the defective winch and date of purchase.

This warranty does not apply (i) to finish and wire rope and synthetic rope, motor, aluminum fairlead and 4-way roller, or (ii) if the winch has been damaged by accident, misuse, collision, overloading, modification, misapplication, improper installation, or improper service. This warranty is void if any APROVE serial number has been removed or defaced. Commercial or industrial use or application, or any hoisting application of the winch voids the warranty.

THIS WARRANTY SET FORTH ABOVE IS THE ONLY WARRANTY. THERE ARE NO OTHER WARRANTIES, EXPRESS OR IMPLIED, INCLUDING BUT NOT LIMITED TO IMPLIED WARRANTIES OF MERCHANTABILITY OR FITNESS FOR A PARTICULAR PURPOSE.

ANY IMPLIED WARRANTY WINCH BY LAW MAY NOT BE EXCLUDED IS LIMITED IN DURATION TO 12 MONTHS FROM THE DATE OF ORIGINAL RETAIL PURCHASE OF THE PRODUCT.

APROVE SHALL NOT BE LIABLE FOR SPECIAL, INDIRECT, INCIDENTAL OR CONSEQUENTIAL DAMAGES (INCLUDING, BUT NOT LIMITED TO, LOST PROFITS, DOWN TIME OR LOSS OF USE) UNDER ANY LEGAL THEORY, EVEN IF APROVE WAS ADVISED OF THE POSSIBILITY OF SUCH DAMAGES.

Some states do not allow the exclusion of implied warranties or the exclusion or limitation of liability for incidental or consequential damages, or limitations on how long an implied warranty lasts, so the above limitation or exclusion may not apply to you. This warranty gives you specific legal rights. You may also have other rights that vary from state to state.

APROVE reserves the right to change Product design without notice. In situations in which APROVE has changed a Product design, APROVE shall have no obligation to upgrade or otherwise modify previously manufactured Products.

For any warranty inquiries, please contact your local dealer/distributor or direct us at [www.aproveatv.com](http://www.aproveatv.com)



**Aprove Products Co., Ltd.**

TEL + 886-4-24738401 / FAX + 886-4-24751997  
No.400, Dadun S. Rd., Nantun Dist., Taichung 40854, Taiwan  
info@aproveatv.com

[www.aproveatv.com](http://www.aproveatv.com)