

FEEL THE HEAT!

Spare Tire Carrier for Polaris General
 Part # **02-1106** Polaris General - All Models Black

Congratulations on your purchase of the DragonFire Spare Tire Carrier. Flats are not fun! Don't get stuck in a bad spot, carry a spare and get out every time. Be sure to check out the full line of DragonFire Accessories for your Polaris vehicle at your local authorized dealer or online at <http://www.DragonFireRacing.com>

! WARNING

- Read and understand these instructions before installing product
- Installation may scratch powder coat
- Do not use as an anchor point
- Do not use product if there are any signs of damage

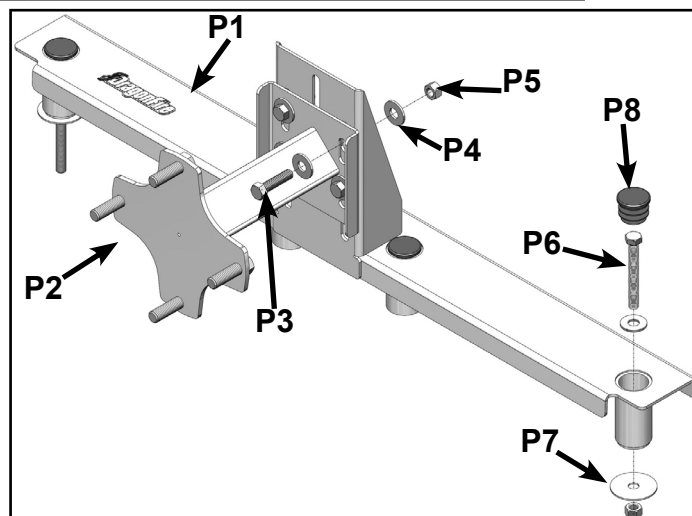
Disclaimer

Off road activities can be hazardous and could lead to injury, dismemberment, paralysis and death. No warranty of representation is made as to the products ability to protect the user from any injury or death. The user assumes that risk. The acceptance and /or use of this merchandise purchased from DragonFire by the customer hereby shall release DragonFire from any and all liability pertaining to the use of such merchandise.

Pre-installation: Lay out components and compare to list and images.

Part & Hardware List					
ITEM	QTY	SIZE	LENGTH	TYPE	STEP USED
P1	1	-	-	Base Mount	3
P2	1	-	-	Spare Tire Carrier Mount	6 - 10
P3	4	3/8"-16	1-1/2"	Hex Bolt - Zinc Plated	6
P4	10	3/8"	-	USS Flat Washer - Zinc	4 & 6
P5	6	3/8"-16	-	Nylock Nut - Zinc Plated	4 & 6
P6	2	3/8"-16	3"	Hex Bolt - Zinc Plated	4
P7	2	3/8"	-	Fender Washer - Zinc	4
P8	4	1-1/2"	-	Plastic End Cap	5

Tools Required
1/2" Socket
1/2" Combination Wrench
9/16" Combination Wrench
9/16" Ratcheting Wrench
Extension
Ratchet



Step 1: Place vehicle on a flat and level surface. Place gear selector in "Park" and remove keys from the ignition.

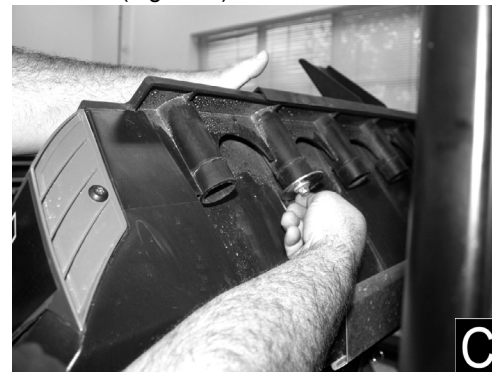
Note: If vehicle has rear windshield, it is recommended to uninstall windshield to make it easier to install the Spare Tire Carrier. If vehicle has the DragonFire Cargo Rack for the Polaris General, reposition the rack to the rear of the bed per Cargo Rack installation instructions.

Step 2: Lift the bed of the vehicle. (Figure A)

Step 3: Place P1 into Lock & Ride pockets in the front of the bed. (Figure B)

Note: P1 can be positioned on leftmost, rightmost, or in the center.

Step 4: Place P6 and P4 through the holes at the end of the base mount and then install using P7 and P5. (Figure C)



Step 5: Tighten the hardware until the part is fully secured. Ensure the hardware is not too tight that it is flexing the plastic. (Figure D) Then install P8 into the holes of the base mount.

Step 6: Install the Spare Tire Carrier Mount (P2) with 4 sets of supplied hardware. Place P3 through P4, P2, and P1. (Figure E) Then place another P4 onto P3 and loosely tighten with P5.

Step 7: Lower and lock the bed. (Figure F)



Step 8: Use desired spare tire to align the spare tire mount. Then install and tighten lug nuts to specifications of wheel manufacturer. (Figure G)

Step 9: Lift the bed. Then tighten and torque 3/8" bolts and nuts to 33 lb-ft. (Figure H) When done, lower and secure the bed to vehicle.



Step 10: This completes installation. Time to ride and enjoy!

ProTip: Periodically check all hardware and re-tighten if needed.

For further assistance please contact us at customerservice@dragonfireracing.com or 1-800-708-9803.

